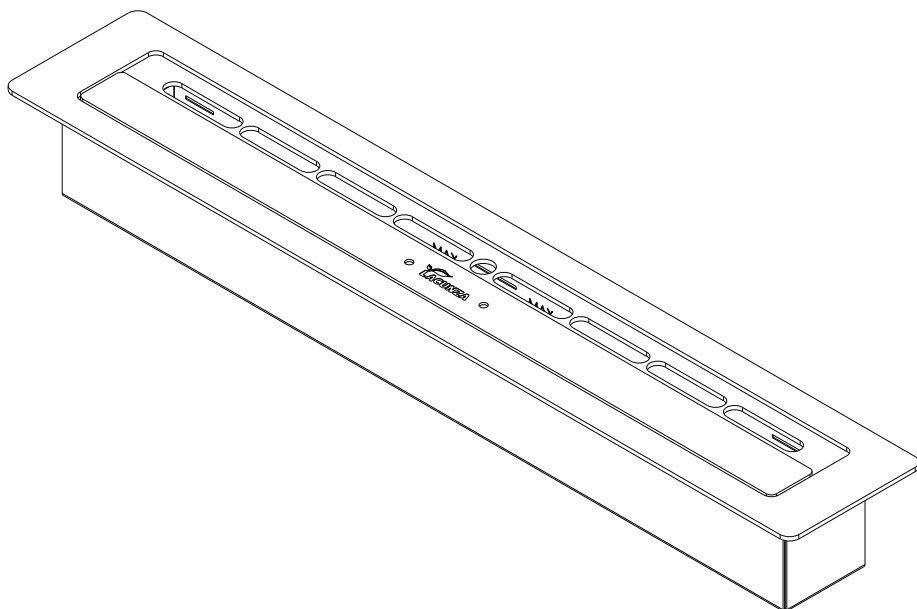




Bio-ethanol Burner User Manual





Bio-ethanol Burner - User Manual Congratulations

Thank you for purchasing a Lacunza state-of-the-art appliance. You have made an excellent choice, and you can rest assured that our appliances are made to the highest standard of materials and attention to detail.



Bio-ethanol Burner - User Manual **Technical Specifications**

IMPORTANT SAFEGUARDS

When using this Fireplace, basic precautions should always be followed, including but not limited to the following. **Read all instructions and warnings before using this Fireplace.**

Technical spec sheets may be obtained as followed:

Lacunza website - www.lacunza.net
(Scan QR codes on next page)



Bio-ethanol Burner - User Manual QR Codes

Burner 700T



Burner 1000T



Burner 500





Bio-ethanol Burner - User Manual QR Codes

Burner 800



Burner 1100





Bio-ethanol Burner - User Manual

Important Safeguards

WARNING

- DO NOT OVERFILL THE BURNER'S INTENDED CAPACITY.
- DO NOT INSTALL INTO AN AREA WHERE THERE IS A DRAFT WHICH CAN AFFECT THE FLAME ESPECIALLY WHEN INSTALLING IN OLD HEARTHES, MAKE SURE HEARTH IS SEALED.
- USE ONLY THE FUEL FOR WHICH THE BIO-ETHANOL BURNER IS INTENDED.
- DO NOT TOUCH THE EXTERIOR OF THE BIO-ETHANOL BURNER DURING OR AFTER BURNING.
- PARTS OF THIS BIO-ETHANOL BURNER CAN REACH HIGH TEMPERATURES.
- DO NOT HAVE COMBUSTIBLE OBJECTS IN CLOSE PROXIMITY TO THE BURNER.
- NEVER POSITION THE BURNER WITHIN RANGE OF COMBUSTIBLE ITEMS THAT CAN BE MOVED/BUMPED BY ACCIDENT OR BLOWN BY THE WIND. e.g., CURTAINS & BLANKETS
- ONLY USE THE BIO-ETHANOL BURNER IN AREAS WITH GOOD VENTILATION.
- DO NOT COVER THE BIO-ETHANOL BURNER VENT WITH ANY DECORATIVE ITEMS WHETHER THEY ARE COMBUSTIBLE OR NON-COMBUSTIBLE, INCLUDING BUT NOT LIMITED TO ARTIFICIAL LOGS, STONES, PEBBLES, GLASS BEADS etc.
- CUSTOM INSTALLATION: LACUNZA IS NOT LIABLE FOR ANY INJURIES OR DAMAGES SUSTAINED BY CUSTOM MADE OR PRIVATELY COMMISSIONED FIREPLACES. LACUNZA RECOMMENDS USING THE BURNERS IN THE FIREPLACES MANUFACTURED BY LACUNZA ONLY. ANY ALTERATIONS TO THE LACUNZA PRODUCT VOIDS ANY WARRANTY OR LIABILITY.
- WARNING: FILLING AN ALCOHOL FUELLED DEVICE WHILE LIT HAS CAUSED SEVERE BURNS AND DEATHS. WHEN REFILLING FIRST CHECK THE FLAME IS EXTINGUISHED AND THAT THE DEVICE IS COOL.

CAUTION

- Make sure you have read and understood this manual before using this product.
- Do not overfill or spill fuel when refilling.
- If Fuel is spilt onto the surface of the Firebox **WIPE IT IMMEDIATELY AND LEAVE TO DRY BEFORE LIGHTING THE BURNER.**
- If fuel is spilled on the stainless-steel Burner during filling, wipe with a dry cloth and allow the rest to evaporate before lighting the Burner.
- If the Burner is accidentally overfilled, follow the steps in the Burner manual to rectify.
- To refill, wait until the Burner is at the room temperature after the flame has been turned off.
- **NOTE: the flame may not be visible to the naked eye in daylight and must be cool before filling.**
- **NEVER refill over or near an open flame and use a decanter with a flame arrestor only.**
- Remove all plastic & packaging before using the Burner.



Bio-ethanol Burner - User Manual

Important Safeguards

Troubleshooting and Operating Tips:

- The hooks on the back of the **Sliding Lid Handle** can be used to carry the *Bio-Ethanol Burner* by hooking it around the slotted openings in the *Vent Plate* as shown in the image on the following page.
- **The first fill** will take longer as the material inside the *Fuel Tank* will absorb the fuel. Subsequent filling should be quicker. Take care to not fill the Burner at a faster rate than what the material inside can absorb the fuel.
- If the fire **does not extinguish** the first time by closing the *Sliding Lid* follow these steps and repeat if necessary.
 - Check that the surface below the sliding plate is clean and free from obstruction.
 - Apply strong downward force and in one quick motion move the sliding plate towards the closed position. If the flame is still visible repeat this step as a double motion still applying strong downward force in quick succession.
- **Never blow on the flame** whilst the *Sliding Lid* is in an open position.
- If your *Bio-Ethanol Burner* **does not ignite** after it has been closed overnight, you must refill the Burner.
- **VERY IMPORTANT:** Take special care when adding fuel to the Burner, always close the *Sliding Lid* for a few minutes before adding fuel to make sure there is no visible flame in the *Burner Vent*. **BEFORE REFILLING THE BURNER MUST BE COOL.**
- If after some time you find the *Sliding Lid* has **become 'sticky'** when attempting to move it, then remove the *Sliding Lid* from its housing and rub the underside using the green side of a Scotch Bright scouring pad. Take care to only scrub in the direction of the brushing lines of the stainless steel.
- Make sure you keep your Burner clean especially the surface that the *Sliding Lid* slides on and ensure that any excess fuel on the surface of the Burner.



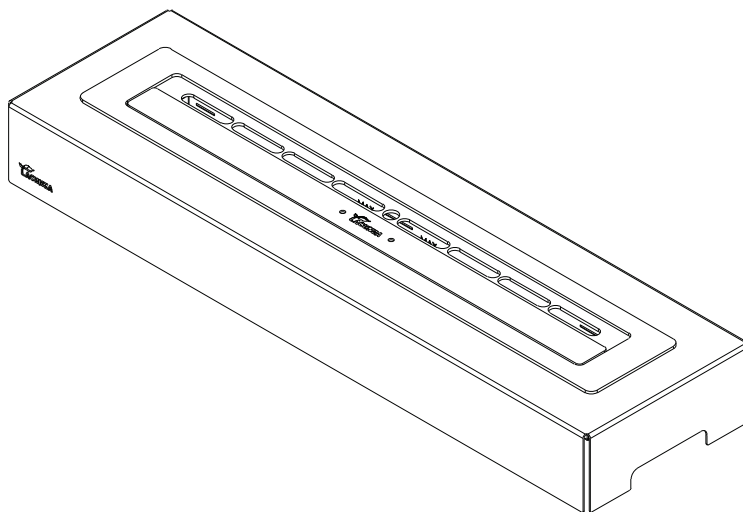
Bio-ethanol Burner - User Manual

Unit Description

Information on Bio-ethanol Burner

The Burner T collection by Lacunza offers the user the ability to have a mobile bio-ethanol fireplace. This range is ideal for converting your old wood or gas fireplace into a modern eco-friendly bio-ethanol fireplace that is vent-free. An added feature is that these bio-ethanol fires can easily be moved which makes them ideal for apartment dwellers or tenants or if you simply wish to create ambience while entertaining outdoors.

The solid steel structure ensures stability and safety. Available in matt black finish. These models operate on bio-ethanol and are installed easily by the user and comes with the adjustable Lacunza Bio-ethanol vent-free burner.





Bio-ethanol Burner - User Manual

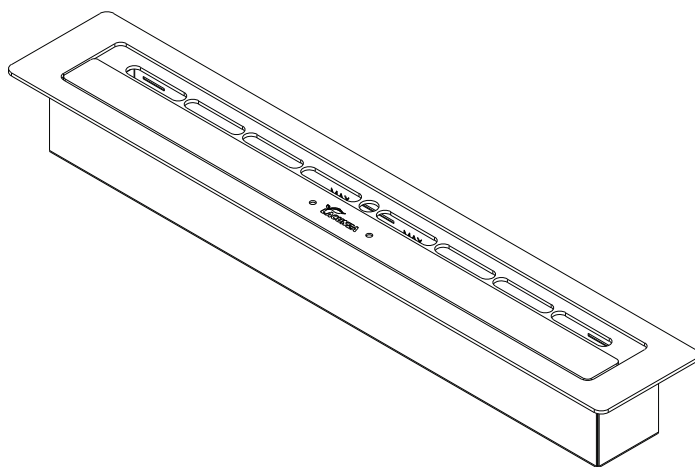
Unit Description

Information on Bio-ethanol Burner

The Lacunza Bio-ethanol burner collection by Lacunza offers the user the ability to create their own iconic bio-ethanol fireplace. A bio-ethanol burner is vent-free which allows you to place them in areas traditionally not possible with wood or gas fireplaces.

They require no chimney or gas pipe which makes them vent-free and safe for bedrooms. The burner collection sets itself apart from others with its slim width and various length options 500, 800, and 1100mm. Manufactured in 4 and 6mm stainless steel they are considered to be amongst the best globally and will provide beautiful heat many years after installation.

Be creative and design the iconic fireplace you have always wanted using a Lacunza bio-ethanol burner.





Bio-ethanol Burner - User Manual

PARTS LIST:

- Burner Body - qty 1
- Slider - qty 1
- Sliding Lid Handle - qty 2 (1 for Burner 700T & 1000T)

MAKE SURE THE FIREPLACE HAS COOLED OFF COMPLETELY BEFORE CLEANING:

To clean dust, wipe with a dry cloth or sponge.

To clean stainless steel parts, use bio-ethanol or Acetone.

Make sure the Sliding Lid for the Burner slides correctly and fully after cleaning and that any excess cleaning product has been wiped off completely.

KEEP HANDY A CLASS B FIRE EXTINGUISHER:

Class B fire extinguishers are used to put out fires that are caused by combustible liquids. Class B fire extinguishers quell the flames by expelling a dry chemical powder or foam with a nitrogen propellant. The specific chemical can vary depending on the make or model. Water will not extinguish this flame.

PROCEDURE IF BURNER IS OVERFILLED:

In case of accidental overfilling of the fuel tank, follow these steps:

- NEVER light the Burner if it is filled past the **filling line by more than 15mm**, shown in the section of **filling the Burner**.
- Remove the Burner from its housing, using the hooks on the back of the handles.
- Empty the excess fuel into a container, suitable to hold the Burner volume.
- Wipe off all excess fuel that may have dripped on the outside of the Burner during emptying and allow any residual fuel to evaporate. Leave for 1 hour.
- Place the Burner back into its housing.
- Ignite the Burner only once all residual fuel outside the Burner has completely evaporated and the dispenser used to fill the Burner has been sealed and moved to a safe distance from the Burner.

USE CORRECT FUEL - COMMERCIAL NAMES:

Australia, India, New Zealand, South Africa, Germany, United Kingdom, USA & Canada, France: Bio- Ethanol Denatured Alcohol, **Holland/The Netherlands:** Spiritus - Brand Spiritus, **Italy:** Alcool Denaturato - Spirito de Brucaire, **Japan:** Nen-ryo yoh, **Scandinavia:** T-Sprit - Rod Sprit - Denaturoitu Sprii - Sinol - Marinol, **Spain:** Alcohol Metalico - Alcohol de Quemar, **Switzerland:** Brennsprit, **Turkey:** Ispirto.





Bio-ethanol Burner - User Manual

Bio-Ethanol Burner Range

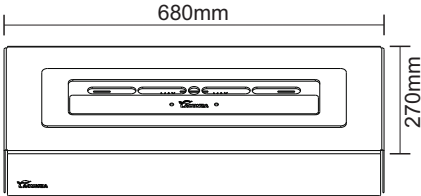
The following information is provided to assist in understanding how each model within our collection can be incorporated into your desired settings. It is intended as a guide only and it is important that you read the detailed *Model Specification* of the model you are interested in before ordering, specifying, installing or operating the fire.

Model no.	Dimension in mm (L x W x H)	Approx. Fuel Capacity	Material	Heats on Average	Minimum Room Area	Thermal Output Net	Burning Time On *Average	Consumption *Average
Burner 700T	680x270x 114	2.75L	Brushed 304 SS	Up to 90m ³	40m ³	2.5kW/hr	6-9 hrs	0.30 L/hr
Burner 1000T	955x270x 114	4.50L	Brushed 304 SS	Up to 165m ³	70m ³	4.35kW/hr	5.5-8.5 hrs	0.60 L/hr
Burner 1300T	1255x270x 114	6.25L	Brushed 304 SS	Up to 210m ³	90m ³	7.25kW/hr	6.5-9 hrs	0.90 L/hr
Burner 500	545x145x 100	2.75L	Brushed 304 SS	Up to 90m ³	40m ³	2.5kW/hr	6-9 hrs	0.30 L/hr
Burner 800	845x145x 100	4.50L	Brushed 304 SS	Up to 165m ³	70m ³	4.35kW/hr	5.5-8.5 hrs	0.60 L/hr
Burner 1100	1145x170x 100	6.25L	Brushed 304 SS	Up to 210m ³	90m ³	7.25kW/hr	6.5-9 hrs	0.90 L/hr

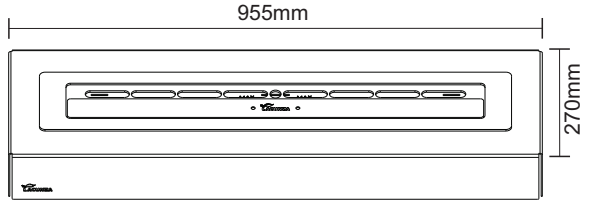
*Average consumption and burn time is based on mixed settings of maximum and moderate output. These burn times and consumption rates may vary depending on room characteristics.

Bio-ethanol Burner - User Manual

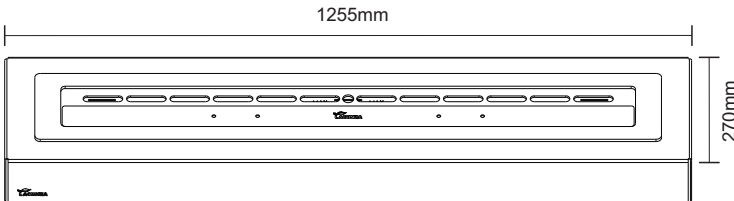
700T Burner
(680L) x (270W) x (114H)



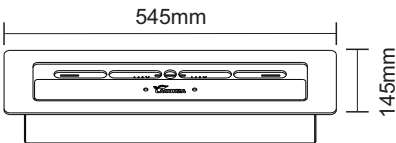
1000T Burner
(955L) x (270W) x (114H)



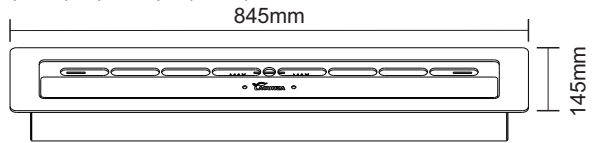
1300T Burner
(1255L) x (270W) x (114H)



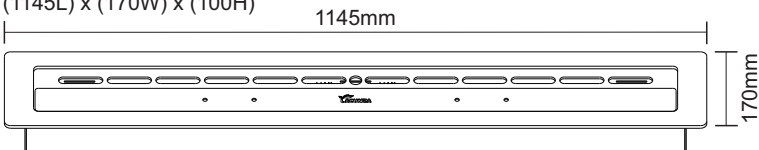
500 Burner
(545L) x (145W) x (100H)



800 Burner
(845L) x (145W) x (100H)



1100 Burner
(1145L) x (170W) x (100H)



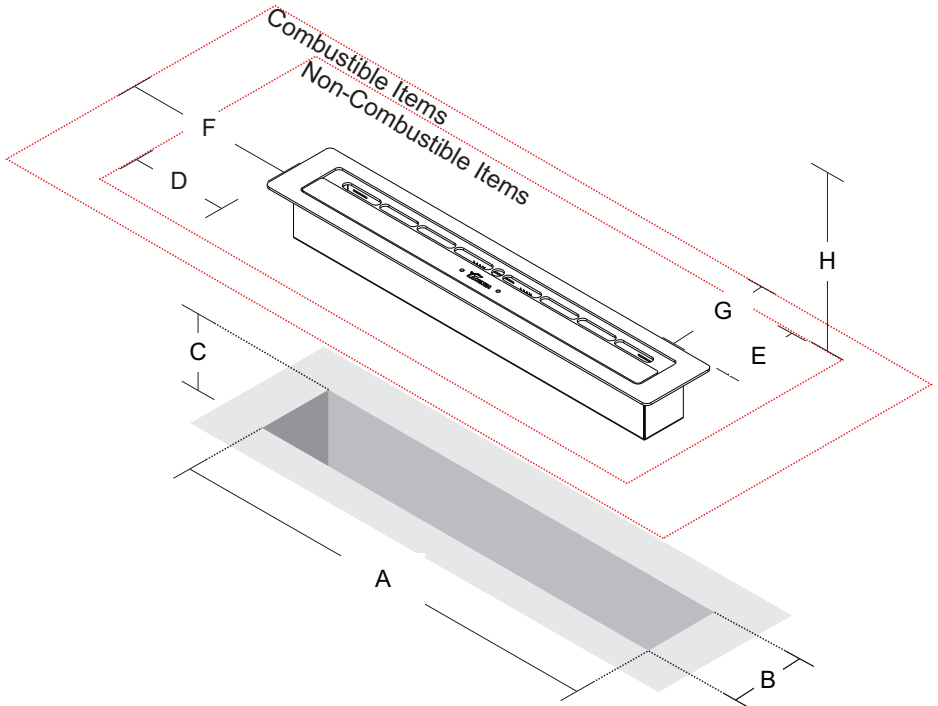


Bio-ethanol Burner - User Manual

NOTE: There are many different variations available for installing the Bio-ethanol Burner Range. In all cases, the Bio-ethanol Burner must:

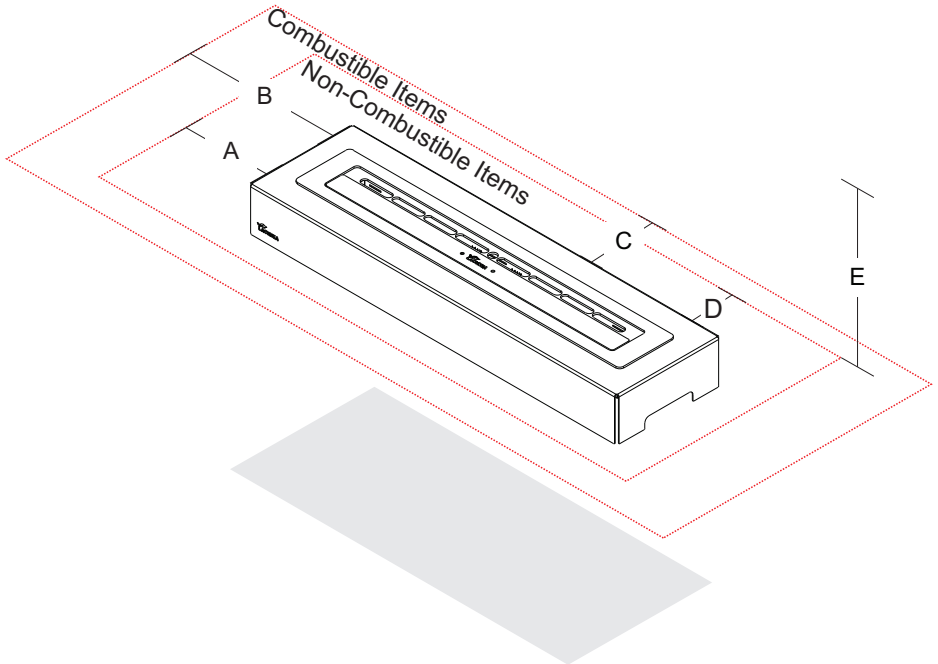
- Installed into non-combustible material ONLY;
- All gas connections or pipelines near your new Burner installation must be disconnected and made safe by an appropriately qualified professional prior to installation;
- Installed into a fixed, level and secure position before filling, lighting and operating;
- Installed in a position that limits relocation requirements to eliminate the risk of accidents caused by fuel spillage. These Burners are not designed to be relocated frequently;
- Installed into a level platform;
- Not installed directly beside or near wallpaper, laminate, veneer or any surface that has not been fire rated and considered combustible.
- A minimum of 1000mm radius to any combustible material.
- Not be within the reach of any objects that are not fixed in position and can be moved by the wind or bumped over easily i.e. curtains, blankets, newspapers etc.

Burner Installation Requirements



Cut-out Size	A	B	C	D	E	F	G	H
Burner 500	530	127	100					
Burner 800	830	127	100					
Burner 1100	1130	152	100					
Clearance Requirements								
Combustible Items						500	500	1000
Non Combustible Items				50	50			500

T-Installation Requirements

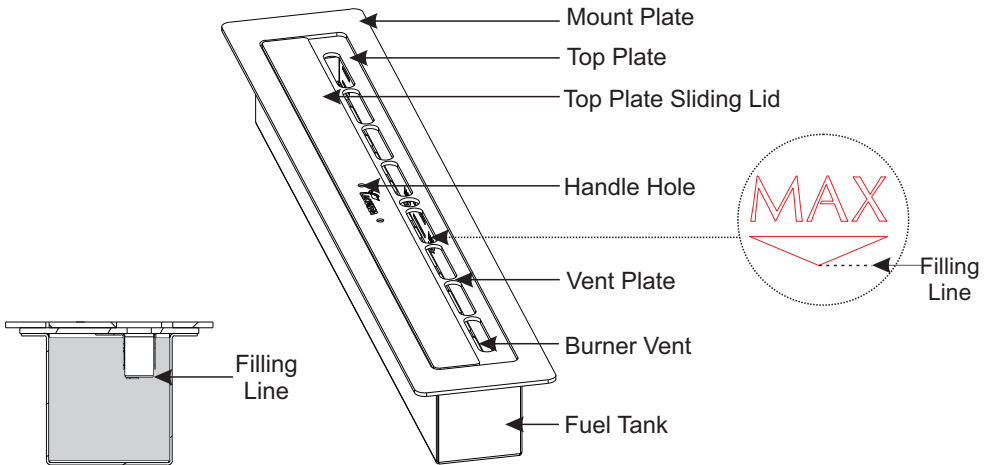


Note: Place on surface, no cut-out required.

Clearance Requirements	A	B	C	D	E
Combustible Items		500	500		1000
Non-combustible Items	50			50	500

Bio-ethanol Burner - User Manual

1- Filling the Bio-Ethanol Burner



THE BURNER MUST BE COOL BEFORE REFILLING!

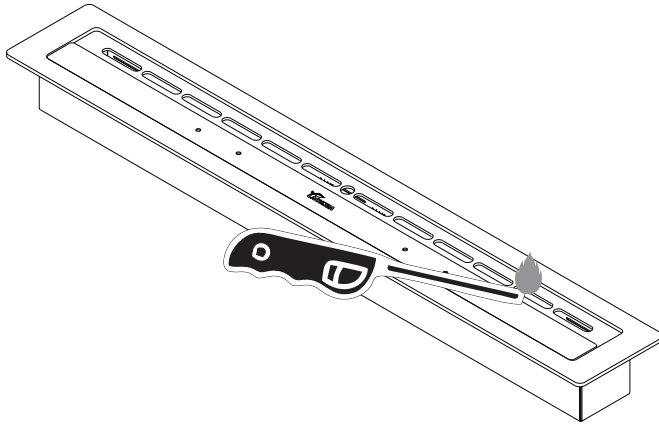
Fill the Bio-Ethanol Burner *Fuel Tank* to the *Fill Line* until the fuel becomes visible at the bottom of the *Burner Vent*. **DO NOT OVERFILL!**

Please wipe any spillage or excess fuel before proceeding to Step 2.



Bio-ethanol Burner - User Manual

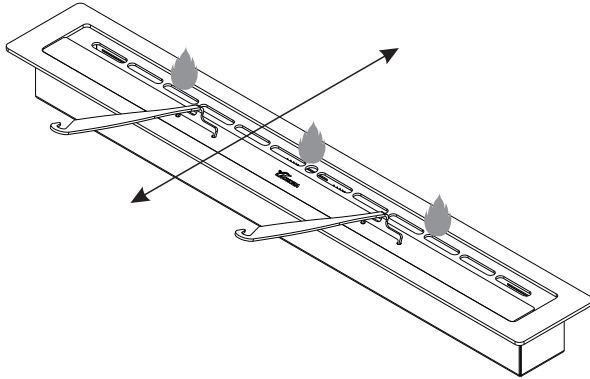
2- Igniting the Bio-Ethanol Burner



NOTE: If fuel is left in the burner for a prolonged time or overnight, before next use, open the Vent for 2 minutes and let it air before ignition, to let the fuel vapor clear, and only then light.

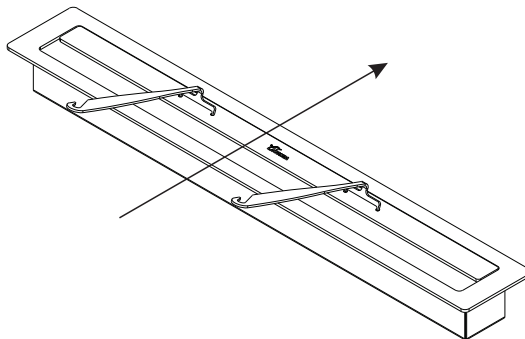
Seal the fuel dispenser used to fill the Burner and move to a safe distance away from the Burner. While standing at arm's length away from the Burner, use a long arm lighter as per the image above to introduce a flame to the openings in the *Vent Plate*.

3- Adjusting the Flame Size



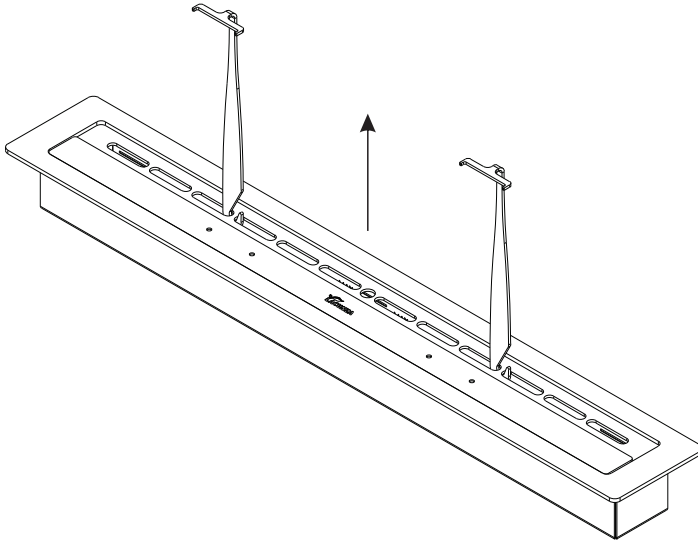
The flame intensity is adjusted by inserting the Sliding Lid Handle's tip into the corresponding holes in the *Top Plate Sliding Lid* as indicated above. Note the flame intensity takes a few minutes to change after an adjustment has been made.

4- Extinguishing the Flame



Using the *Sliding Lid Handle*, pull the *Sliding Lid* to the front / closed position. Should the flame not extinguish with the first try please repeat until extinguished. It should be a swift action coupled with downward pressure.

5- Installation and Removal of Burner





Bio-ethanol Burner - User Manual

Lacunza Warranty Terms and Conditions

1. All warranty claims are subject to manufacturer's review and acceptance.
2. Lacunza warrants that it uses reasonable care and skill to ensure that its products are of reasonable quality. Lacunza will at its cost and in its sole discretion: (i) remedy any defect or fault in any product purchased; or (ii) replace any product in respect of which there is a defect or fault, during the warranty period, provided that written notice is given by the Purchaser to Lacunza of any such defect or fault in the product as soon as the Purchaser becomes aware of that fault or defect. All warranty claims must be returned to Lacunza for assessment with a receipt or other proof of payment. No warranty is given in respect of any glass contained in any product.
3. Lacunza has no liability to remedy any defect in a product or replace a product where the defect or fault is caused or contributed to by (i) the failure of the Purchaser to install the product according to specific installation instructions either supplied within each product box or carton or available on the Lacunza website or through the retailer representative; or (ii) use of the product in a manner or for a purpose for which it was not designed.
4. All site application or installation must reflect these procedures otherwise the product warranty will be considered void or will not take effect.



Bio-ethanol Burner - User Manual
Lacunza Warranty Terms and Conditions

All products bearing the logo of Lacunza logo is covered by a 3-year warranty.

IMPORTANT:

- Stone chipping, painting scratches and general scratches are not covered by the Warranty.
- Due to the characteristics of Stainless Steel, over time the finish will mature through natural processes associated with the use with heat and a flame.
- It is recommended the Stainless-Steel Components be polished annually with a non-abrasive polish to bring & restore the finish and also to regularly clean the products from residue and dirt.