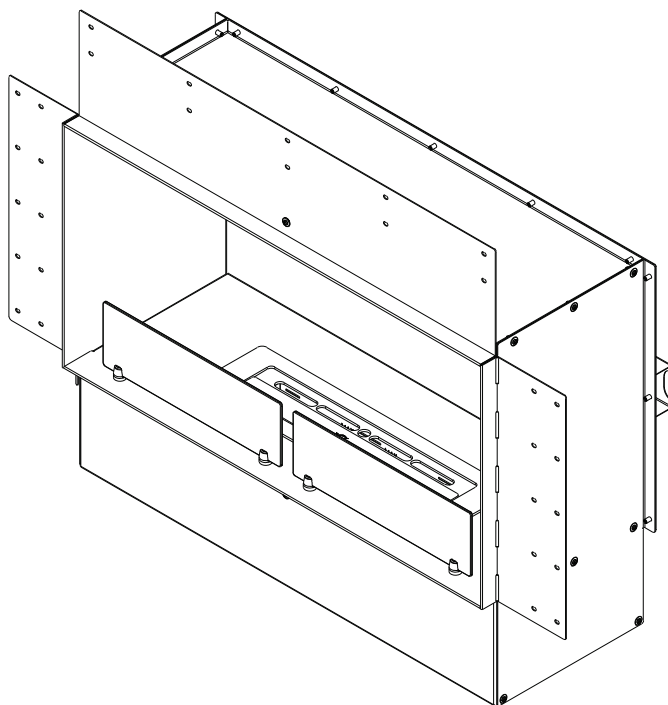




Lumin Fireplace User Manual





Lumin Fireplace - User Manual Congratulations

Thank you for purchasing a Lacunza state-of-the-art appliance. You have made an excellent choice, and you can rest assured that our appliances are made to the highest standard of materials and attention to detail.



Lumin Fireplace - User Manual **Technical Specifications**

IMPORTANT SAFEGUARDS

When using this Fireplace, basic precautions should always be followed, including but not limited to the following. **Read all instructions and warnings before using this Fireplace.**

Technical spec sheets may be obtained as followed:

Lacunza website - www.lacunza.net
(Scan QR codes on next page)

Lumin Fireplace - User Manual
QR Codes

Lumin 1100



Lumin 1100 S



Lumin 1300





Lumin Fireplace - User Manual QR Codes

Lumin 1300 S



Lumin 1100 DC



Lumin 1300 DC





Lumin Fireplace - User Manual QR Codes

Lumin 1100 CLID



Lumin 1300 CLID



Lumin 1100 CLID S





Lumin Fireplace - User Manual
QR Codes

Lumin 1300 CLID S





Lumin Fireplace - User Manual

Important Safeguards

WARNING

- DO NOT OVERFILL THE BURNER'S INTENDED CAPACITY.
- DO NOT INSTALL INTO AN AREA WHERE THERE IS A DRAFT WHICH CAN AFFECT THE FLAME ESPECIALLY WHEN INSTALLING IN OLD HEARTHES, MAKE SURE HEARTH IS SEALED.
- USE ONLY THE FUEL FOR WHICH THE BURNER IS INTENDED.
- DO NOT TOUCH THE EXTERIOR OF THE BURNER DURING OR AFTER BURNING.
- PARTS OF THIS BURNER CAN REACH HIGH TEMPERATURES.
- DO NOT HAVE COMBUSTIBLE OBJECTS IN CLOSE PROXIMITY TO THE BURNER.
- NEVER POSITION THE BURNER WITHIN RANGE OF COMBUSTIBLE ITEMS THAT CAN BE MOVED/BUMPED BY ACCIDENT OR BLOWN BY THE WIND. e.g., CURTAINS & BLANKETS.
- ONLY USE THE BURNER IN AREAS WITH GOOD VENTILATION.
- DO NOT COVER THE BURNER VENT WITH ANY DECORATIVE ITEMS WHETHER THEY ARE COMBUSTIBLE OR NON-COMBUSTIBLE, INCLUDING BUT NOT LIMITED TO ARTIFICIAL LOGS, STONES, PEBBLES, GLASS BEADS etc.
- CUSTOM INSTALLATION: LACUNZA IS NOT LIABLE FOR ANY INJURIES OR DAMAGES SUSTAINED BY CUSTOM MADE OR PRIVATELY COMMISSIONED FIREPLACES. LACUNZA RECOMMENDS USING THE BURNERS IN THE FIREPLACES MANUFACTURED BY LACUNZA ONLY. ANY ALTERATIONS TO THE LACUNZA PRODUCT VOIDS ANY WARRANTY OR LIABILITY.
- WARNING: FILLING AN ALCOHOL FUELLED DEVICE WHILE LIT HAS CAUSED SEVERE BURNS AND DEATHS. WHEN REFILLING, FIRST CHECK THE FLAME IS EXTINGUISHED AND THAT THE DEVICE IS COOL.

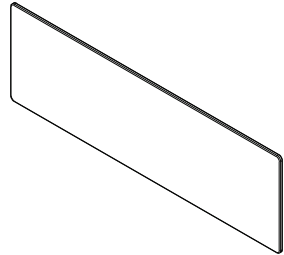
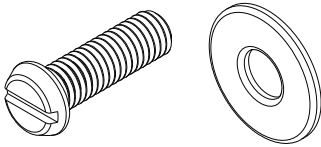
CAUTION

- Make sure you have read and understood this manual before using this product.
- If Fuel is spilt onto the surface of the Fireplace **WIPE IT IMMEDIATELY AND LEAVE TO DRY BEFORE LIGHTING THE BURNER.**
- If the Burner is accidentally overfilled, follow the steps in the Burner manual to rectify.
- NOTE: the flame may not be visible to the naked eye in daylight and must be cool before filling.
- NEVER refill over or near an open flame and use a decanter with a flame arrestor only.
- Remove all plastic & packaging before using the Burner.

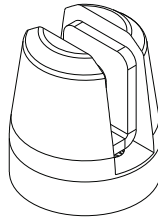
Lumin Fireplace - User Manual
Parts List

Lumin - 34x
Lumin DC - 20x
Lumin CLID - 16x

Quantity depends on design,
see glass allocation page.

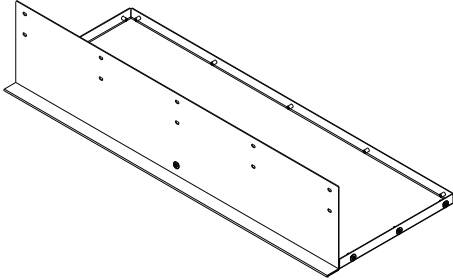


Lumin
1 100 - 4x
1 300 - 6x
Lumin DC
1 100 - 8x
1 300 - 12x
Lumin CLID
1 100 - 8x
1 300 - 10x

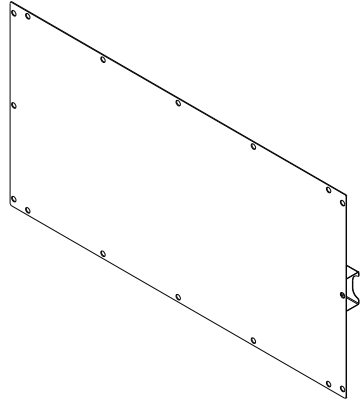


Lumin Fireplace - User Manual
Parts List

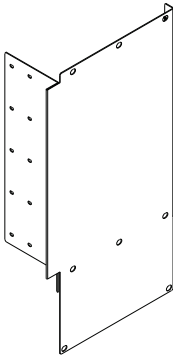
1x



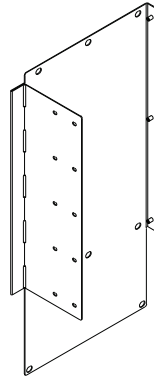
1x



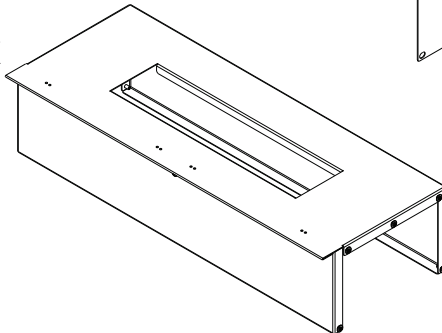
1x



1x



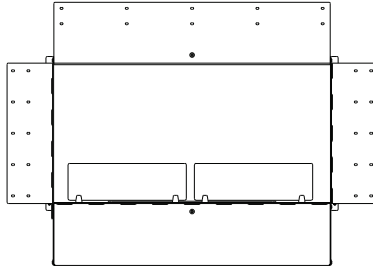
1x



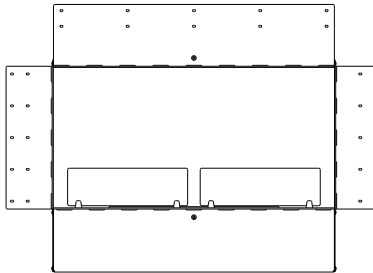
Lumin Fireplace - User Manual

Assembly Variables

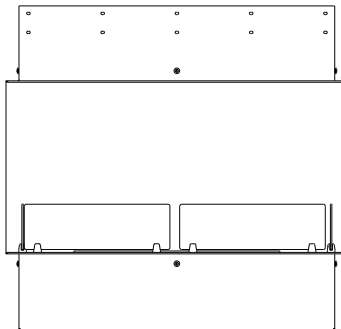
Lumin



Lumin DC

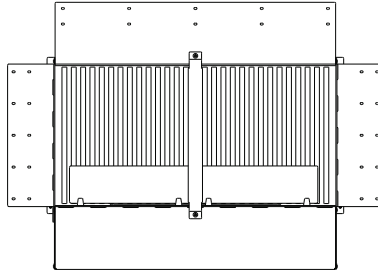


Lumin CLID

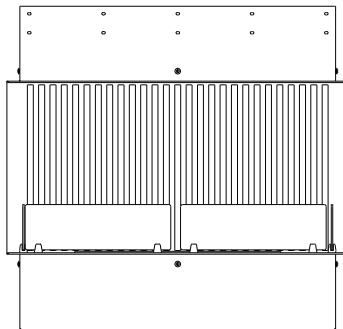


Lumin Fireplace - User Manual
Assembly Variables

Lumin S

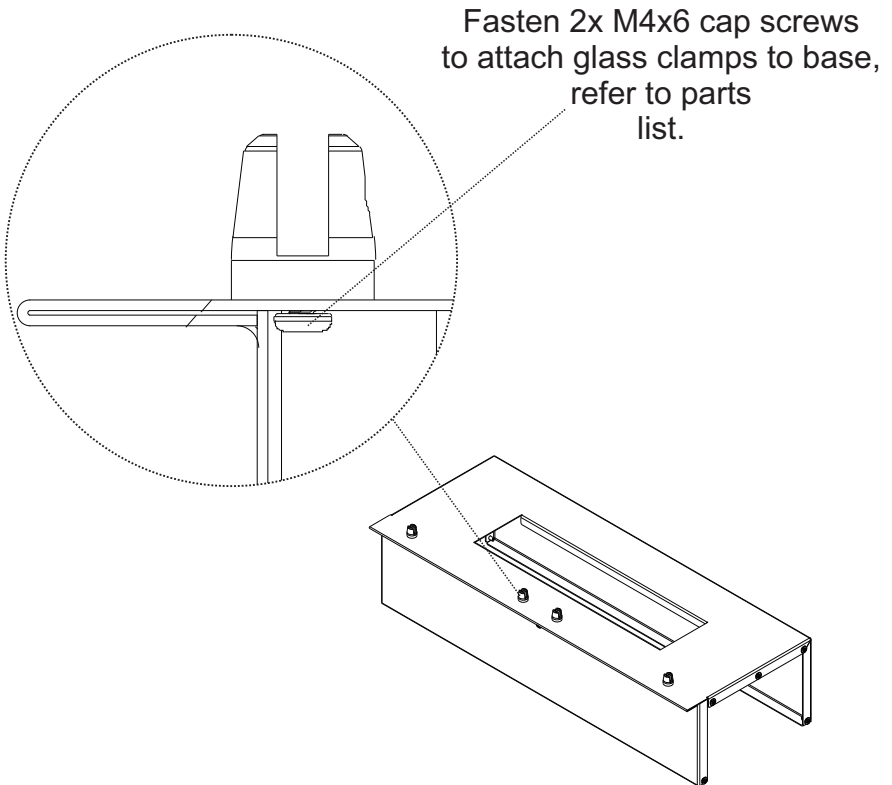


Lumin CLID S



Lumin Fireplace - User Manual
Assembly

1 Glass clamps

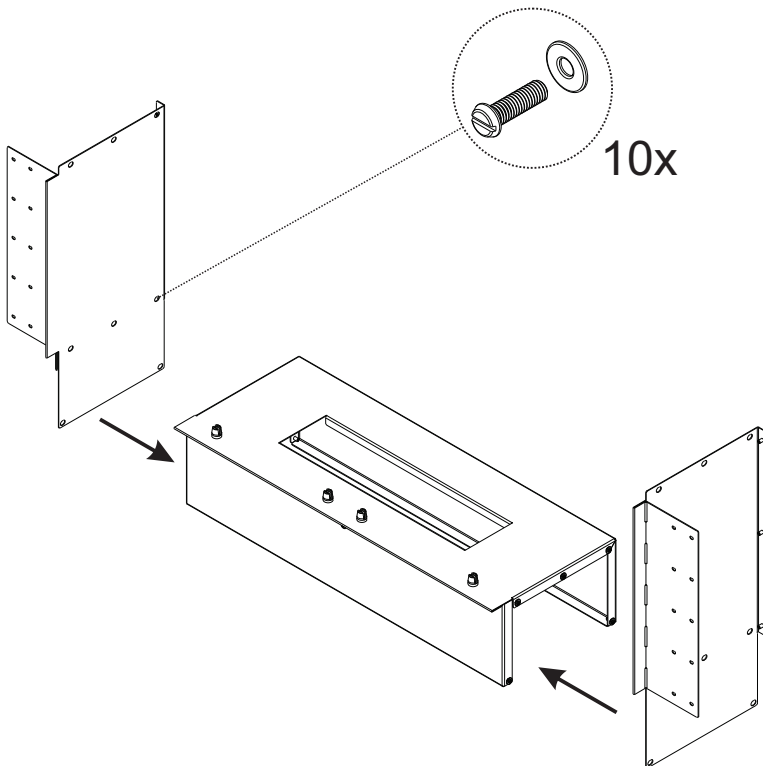


Note:

- Rotate clamp to ensure threaded face is facing inward/towards burner.

Lumin Fireplace - User Manual
Assembly

2 Side panel assembly

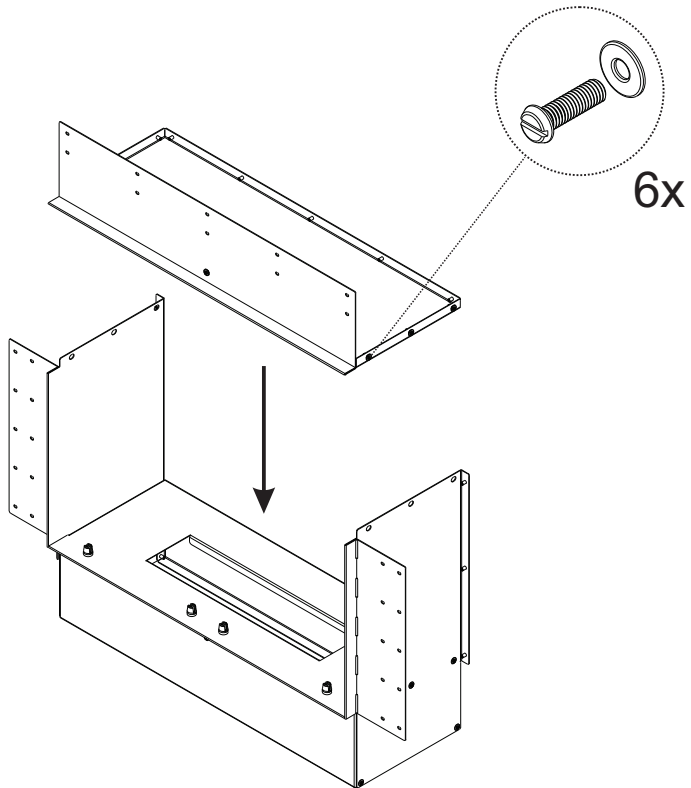


Note:

- Fasten screws but do not tighten.
- Once unit is fully assembled at both sides, screws will be tightened.
- CLID version does not have side panels.

Lumin Fireplace - User Manual
Assembly

3 Top assembly

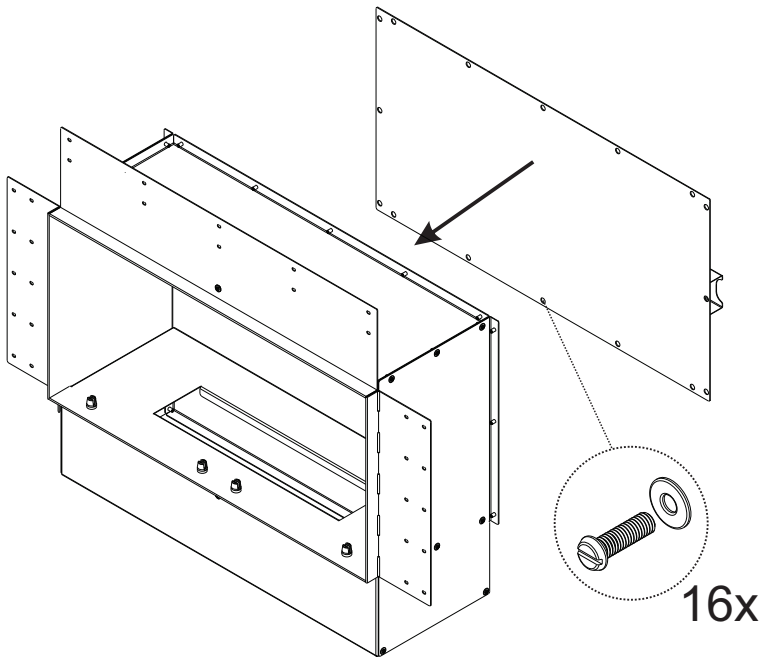


Note:

- Fasten screws but do not tighten.

Lumin Fireplace - User Manual
Assembly

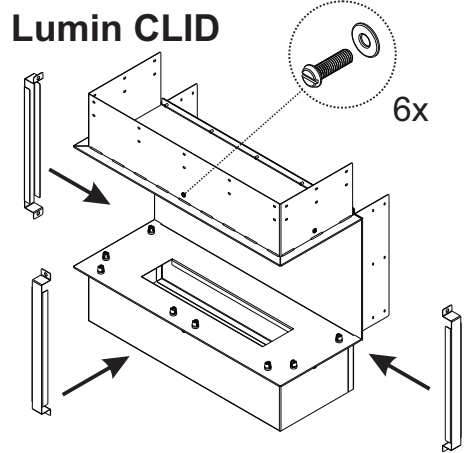
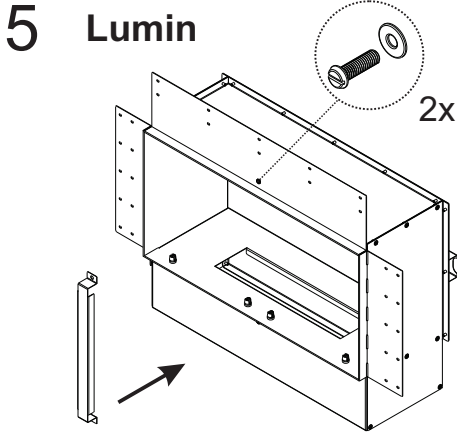
4 Rear assembly



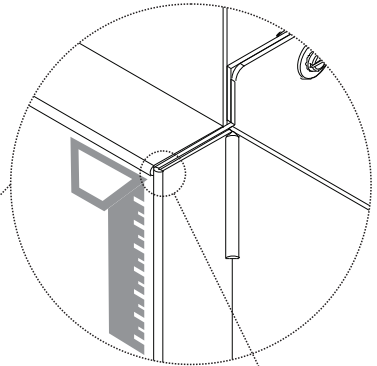
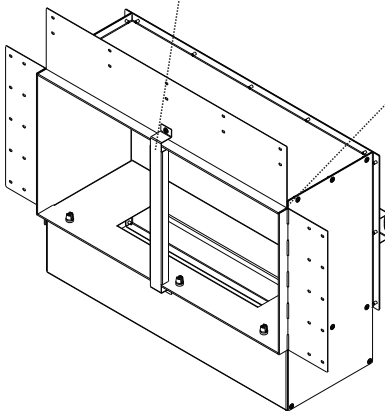
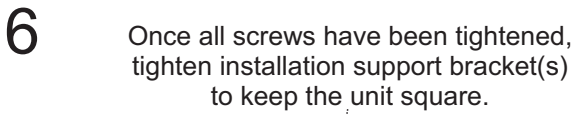
Note:

- Fasten screws but do not tighten.

Lumin Fireplace - User Manual Assembly



Ensure that each installation support
for each unit, has 2 screws.



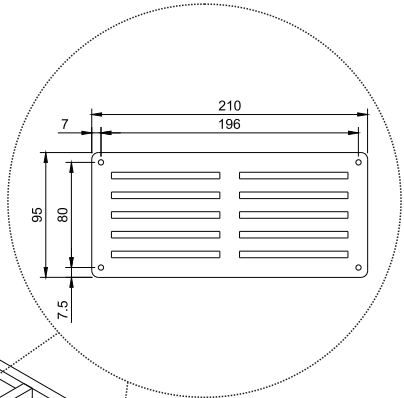
Align edges on
all flange corners
and tighten down all
screws to retain flange
alignment on corners.

Unit ready for installation.

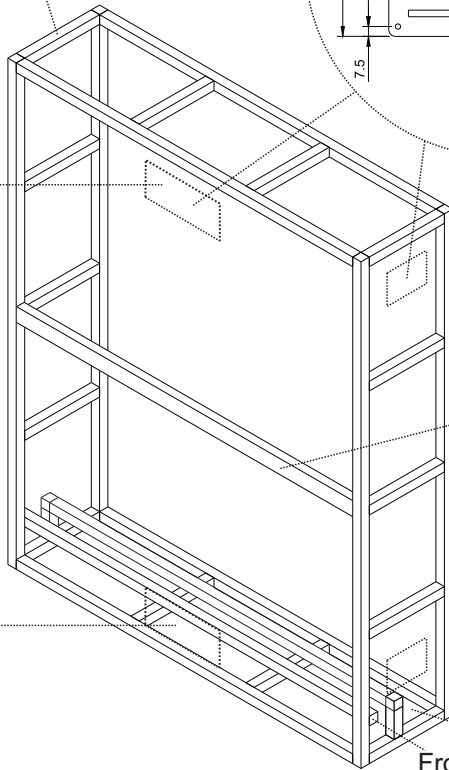
Lumin Fireplace - User Manual Installation

1 Frame construction

Frame construction to be build as per building plan.



Ventilation required at top and bottom on the front **or** on the sides of structure.



Vents can be installed on the front **or** on the sides of structure.

Top support must be non-combustible material.

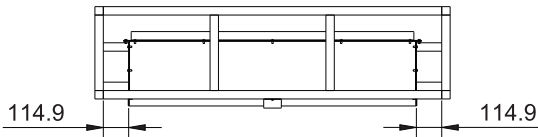
Front and rear base supports.

Note:

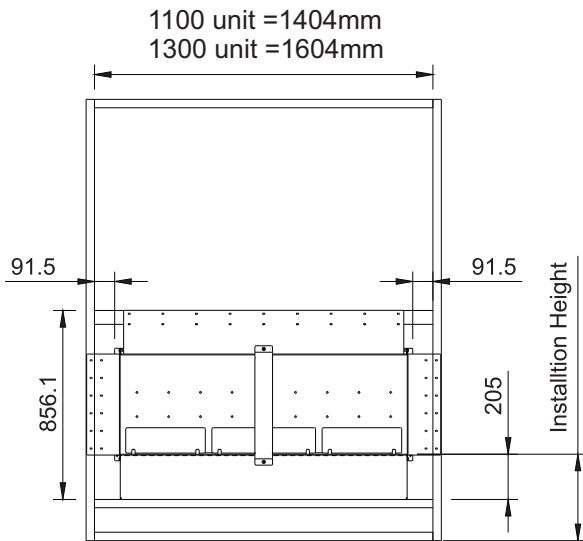
Ventilation requirements: A total open surface area of 41,25cm² per vent is required (10 slots at 82,5mm X 5mm).

Lumin Fireplace - User Manual Installation

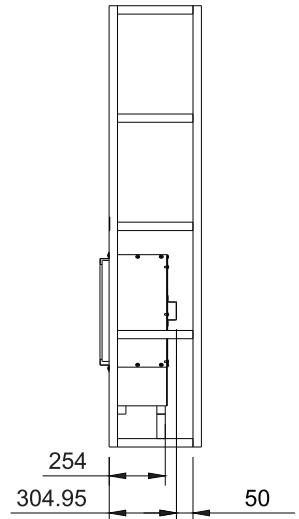
2 Lumin Frame Design Parameters



Top view.



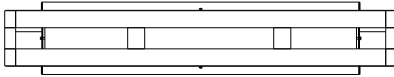
Front view.



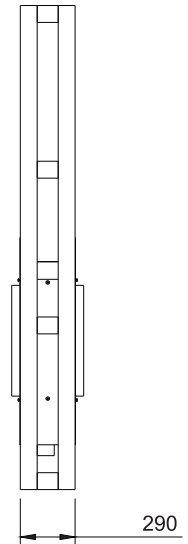
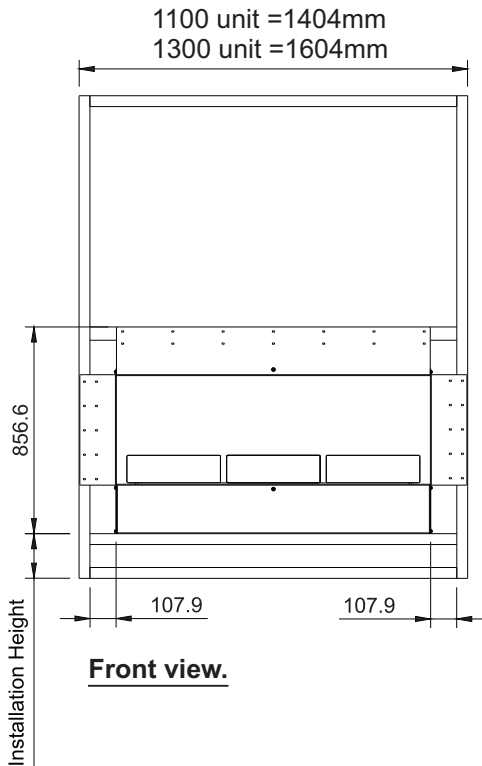
Side view.

Lumin Fireplace - User Manual Installation

3 Lumin DC Frame Design Parameters



Top view.

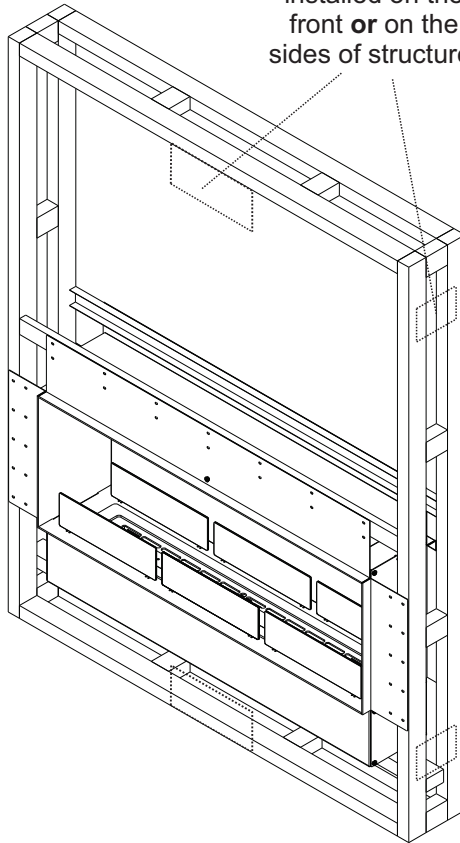


Side view.



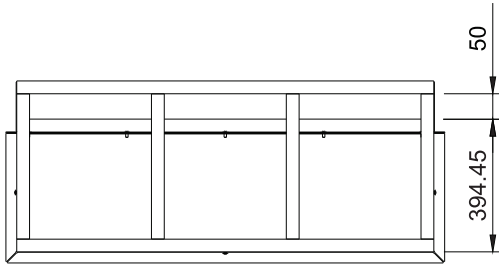
Lumin Fireplace - User Manual Installation

Vents can be installed on the front or on the sides of structure.

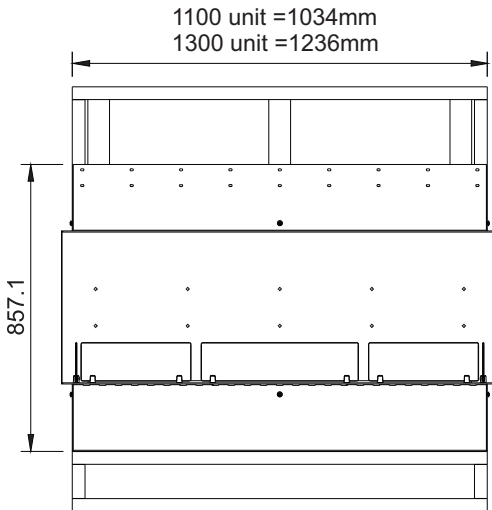


**Lumin Fireplace - User Manual
Installation**

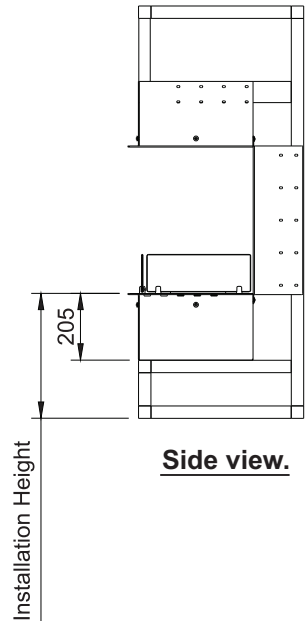
4 Lumin CLID Frame Design Parameters



Top view.



Front view.

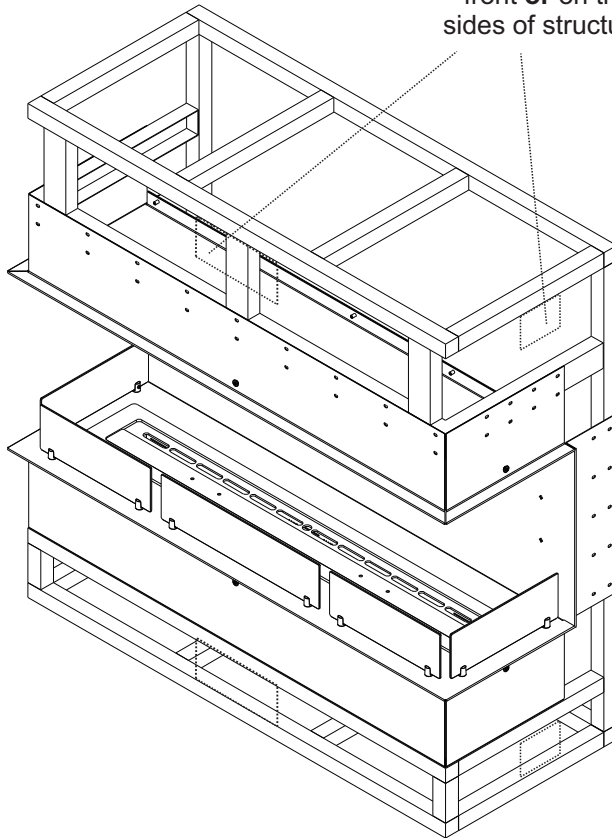


Side view.



Lumin Fireplace - User Manual Installation

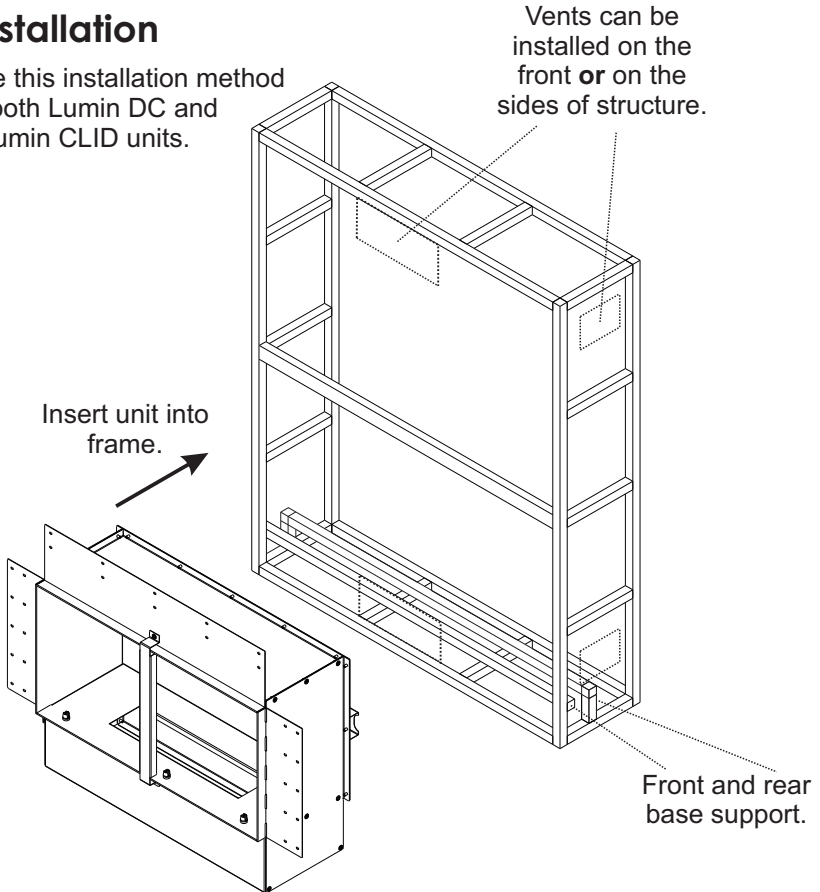
Vents can be installed on the front or on the sides of structure.



Lumin Fireplace - User Manual Installation

5 Unit installation

Note: Use this installation method for both Lumin DC and Lumin CLID units.

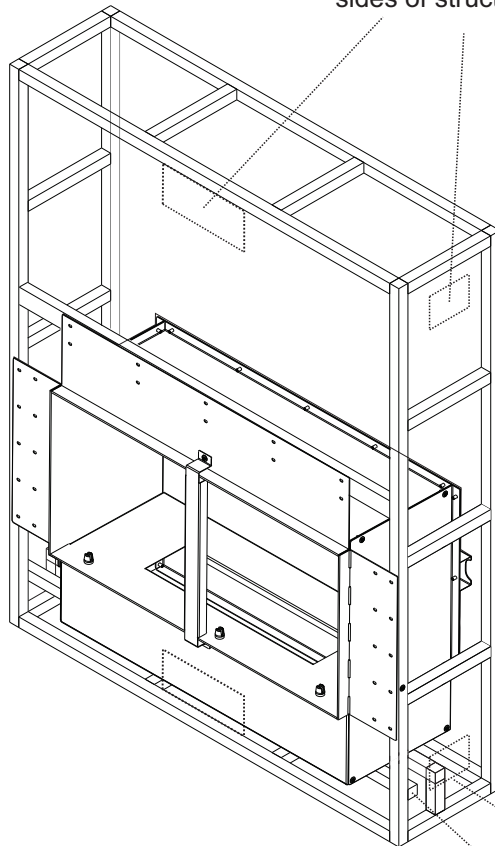


WARNING!

Ensure all unit surfaces (excluding mounting flanges) has a minimum clearance of 50mm from support frame/cladding.

Lumin Fireplace - User Manual Installation

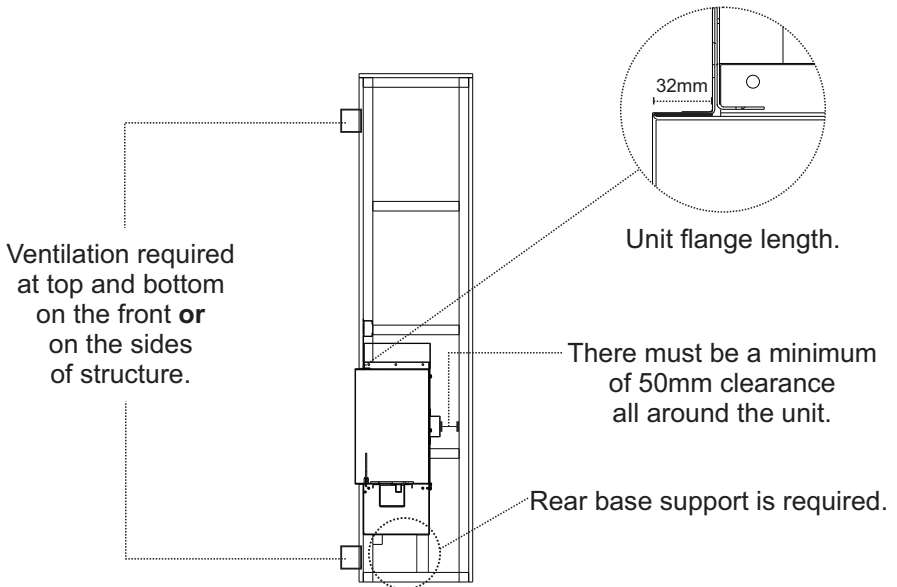
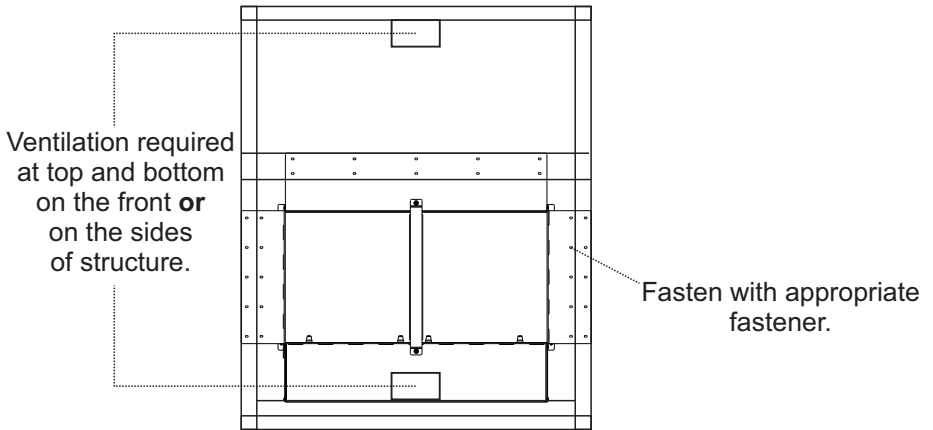
Vents can be installed on the front **or** on the sides of structure.



Front and rear base support.

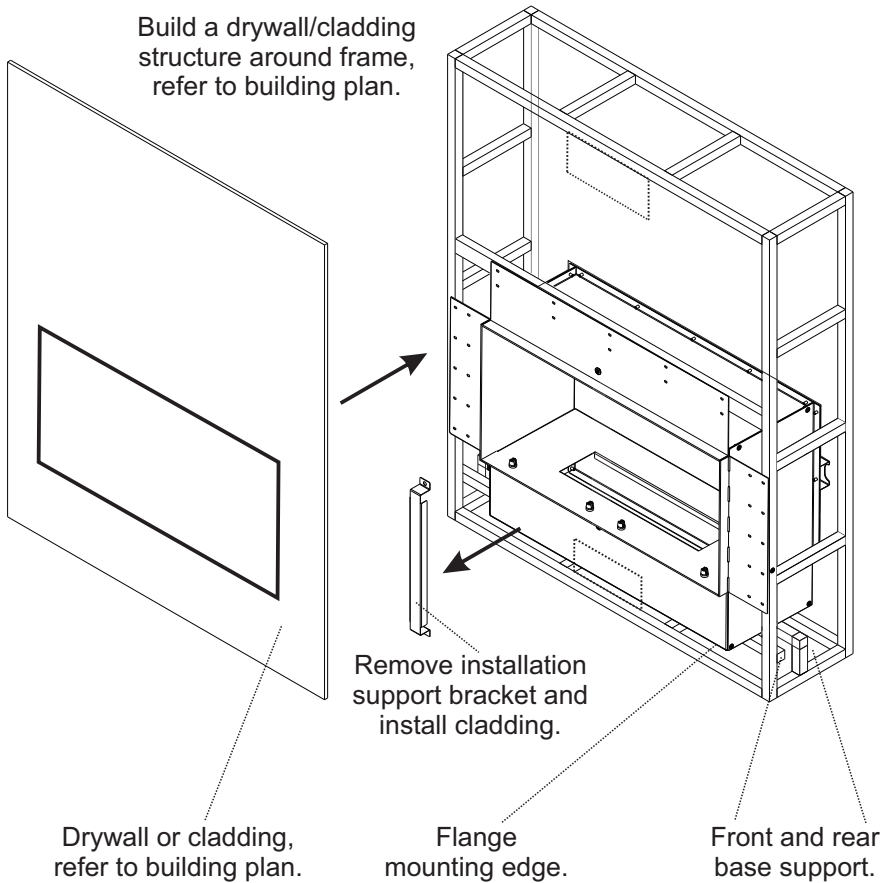
**Lumin Fireplace - User Manual
Installation**

6 Installation complete

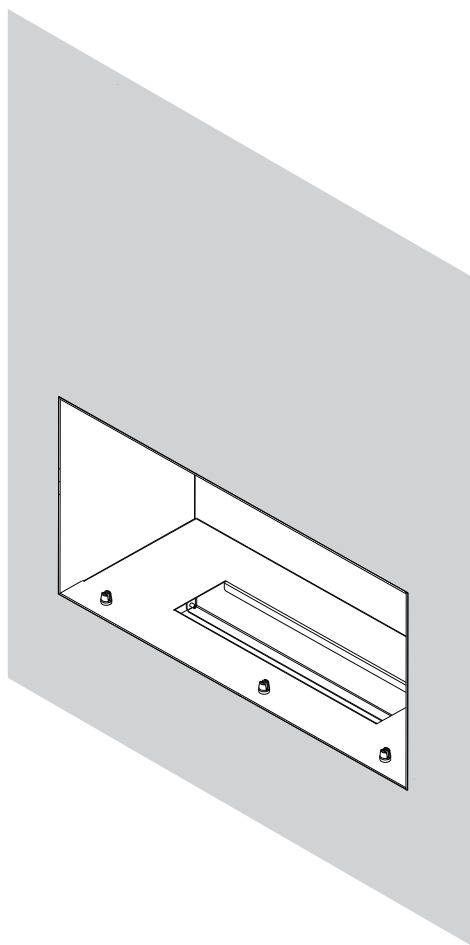


Lumin Fireplace - User Manual
Installation

7 Building drywall/cladding structure



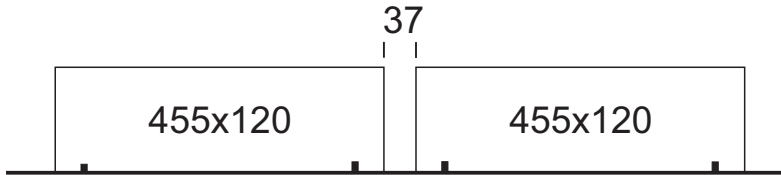
8 Installation completed



Lumin Fireplace - User Manual
Glass pane allocation table

9 Unit glass options and layout

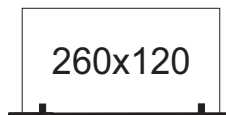
1 100



1 300



Lumin CLID side glass pane



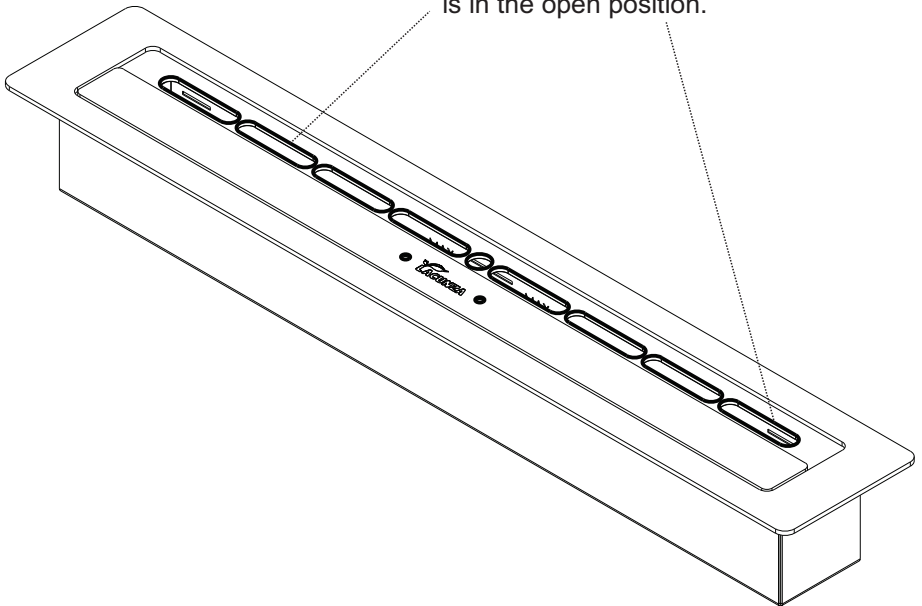
Notes:

- Clean all glass surfaces to avoid damage before initial burn.
- All sizes in mm.
- Ensure glass panes are spaced equally.

Lumin Mural Fireplace - User Manual
Assembly

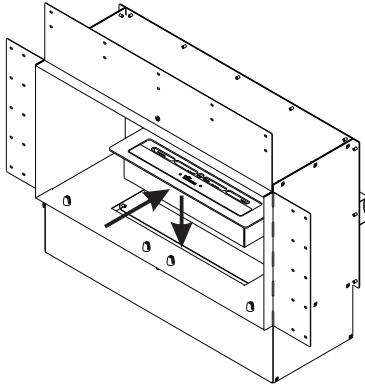
10 Burner

Note: Ensure the burner is inserted with the burner slots towards the rear of the fireplace when the slider is in the open position.



Lumin Fireplace - User Manual
Glass pane allocation table

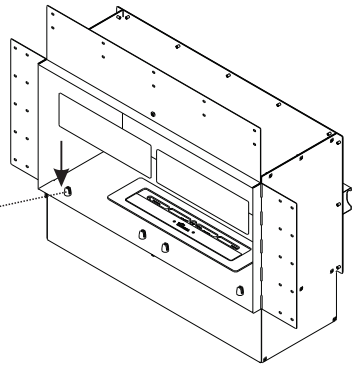
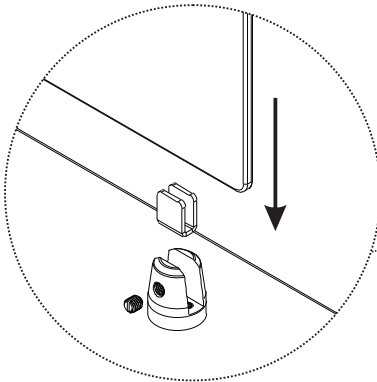
11 Burner assembly



Drop burner
into assembly unit.

12 Glass pane installation

1. Insert folded rubber in glass clamp.
2. Press glass pane in glass clamp.
3. Tighten grub screw in glass clamp.





Lumin Fireplace - User Manual Warranty Claim Form

The Warranty given by Lacunza (Pty) Ltd covers the working components on all Lacunza gas fireplaces for 3 years. The warranty covers defects caused during the manufacturing process. The warranty does not cover component malfunction or fatigue caused by improper use or installation. The warranty does not cover rust or if the product has been modified in any way.

To make a warranty claim, please complete the form below and send this page together with your Lacunza agent invoice
comercial@lacunza.net

Product Name: _____

Date Purchased: _____

Lacunza Agent: _____