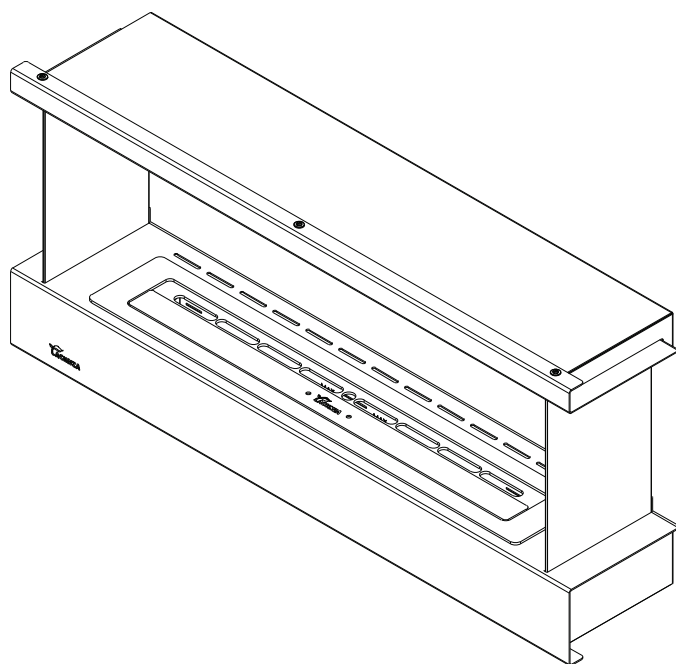




Lumin Mural Fireplace User Manual





Lumin Mural Fireplace - User Manual Congratulations

Thank you for purchasing a Lacunza state-of-the-art appliance. You have made an excellent choice, and you can rest assured that our appliances are made to the highest standard of materials and attention to detail.



Lumin Mural Fireplace - User Manual **Technical Specifications**

IMPORTANT SAFEGUARDS

When using this Fireplace, basic precautions should always be followed, including but not limited to the following. **Read all instructions and warnings before using this Fireplace.**

Technical spec sheets may be obtained as followed:

Lacunza website - www.lacunza.net
(Scan QR codes on next page)



Lumin Mural Fireplace - User Manual QR Codes

Lumin Mural 1100



Lumin Mural 1100 G



Lumin Mural 1100 S





Lumin Mural Fireplace - User Manual

Important Safeguards

WARNING

- DO NOT OVERFILL THE BURNER'S INTENDED CAPACITY.
- DO NOT INSTALL INTO AN AREA WHERE THERE IS A DRAFT WHICH CAN AFFECT THE FLAME ESPECIALLY WHEN INSTALLING IN OLD HEARTHES, MAKE SURE HEARTH IS SEALED.
- USE ONLY THE FUEL FOR WHICH THE BURNER IS INTENDED.
- DO NOT TOUCH THE EXTERIOR OF THE BURNER DURING OR AFTER BURNING.
- PARTS OF THIS BURNER CAN REACH HIGH TEMPERATURES.
- DO NOT HAVE COMBUSTIBLE OBJECTS IN CLOSE PROXIMITY TO THE BURNER.
- NEVER POSITION THE BURNER WITHIN RANGE OF COMBUSTIBLE ITEMS THAT CAN BE MOVED/BUMPED BY ACCIDENT OR BLOWN BY THE WIND. e.g., CURTAINS & BLANKETS.
- ONLY USE THE BURNER IN AREAS WITH GOOD VENTILATION.
- DO NOT COVER THE BURNER VENT WITH ANY DECORATIVE ITEMS WHETHER THEY ARE COMBUSTIBLE OR NON-COMBUSTIBLE, INCLUDING BUT NOT LIMITED TO ARTIFICIAL LOGS, STONES, PEBBLES, GLASS BEADS etc.
- CUSTOM INSTALLATION: LACUNZA IS NOT LIABLE FOR ANY INJURIES OR DAMAGES SUSTAINED BY CUSTOM MADE OR PRIVATELY COMMISSIONED FIREPLACES. LACUNZA RECOMMENDS USING THE BURNERS IN THE FIREPLACES MANUFACTURED BY LACUNZA ONLY. ANY ALTERATIONS TO THE LACUNZA PRODUCT VOIDS ANY WARRANTY OR LIABILITY.
- WARNING: FILLING AN ALCOHOL FUELLED DEVICE WHILE LIT HAS CAUSED SEVERE BURNS AND DEATHS. WHEN REFILLING, FIRST CHECK THE FLAME IS EXTINGUISHED AND THAT THE DEVICE IS COOL.

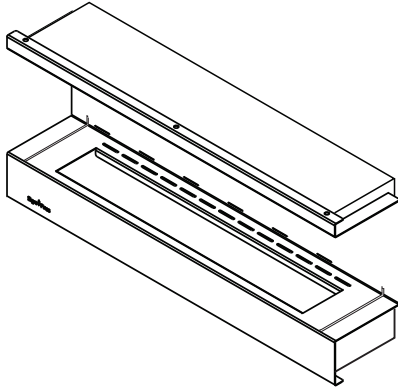
CAUTION

- Make sure you have read and understood this manual before using this product.
- If Fuel is spilt onto the surface of the Fireplace **WIPE IT IMMEDIATELY AND LEAVE TO DRY BEFORE LIGHTING THE BURNER.**
- If the Burner is accidentally overfilled, follow the steps in the Burner manual to rectify.
- **NOTE:** the flame may not be visible to the naked eye in daylight and must be cool before filling.
- **NEVER** refill over or near an open flame and use a decanter with a flame arrestor only.
- Remove all plastic & packaging before using the Burner.

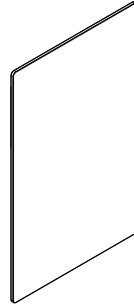
NB: Unit must be installed onto non-combustible wall.

Lumin Mural Fireplace - User Manual
Parts List

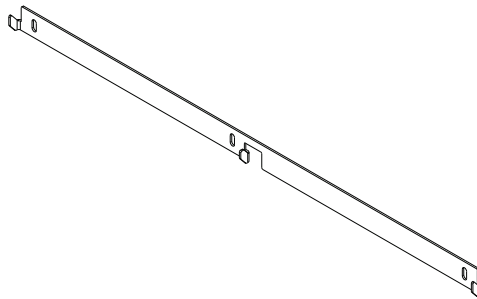
1x



2x

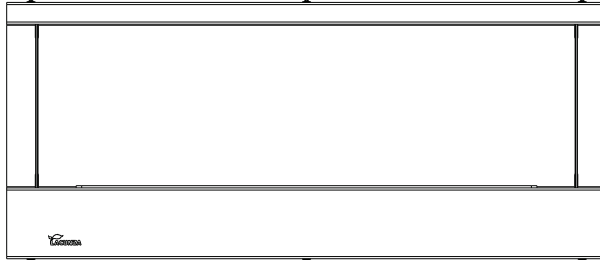


1x



Lumin Mural Fireplace - User Manual
Assembly Variables

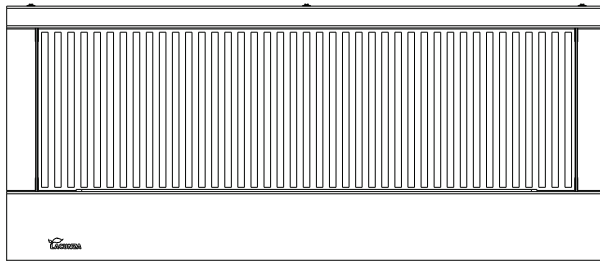
Lumin Mural 1100



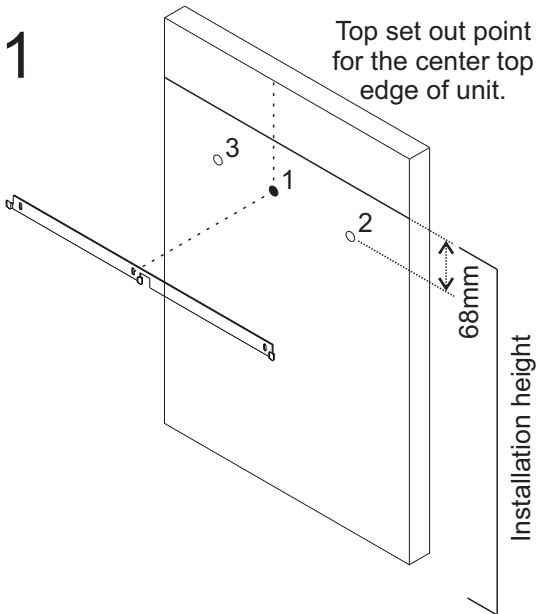
Lumin Mural 1100 G



Lumin Mural 1100 S



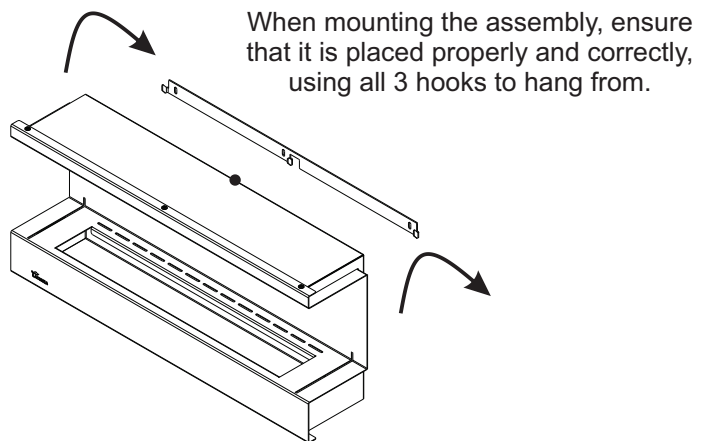
Lumin Mural Fireplace - User Manual Assembly



Steps for mounting:

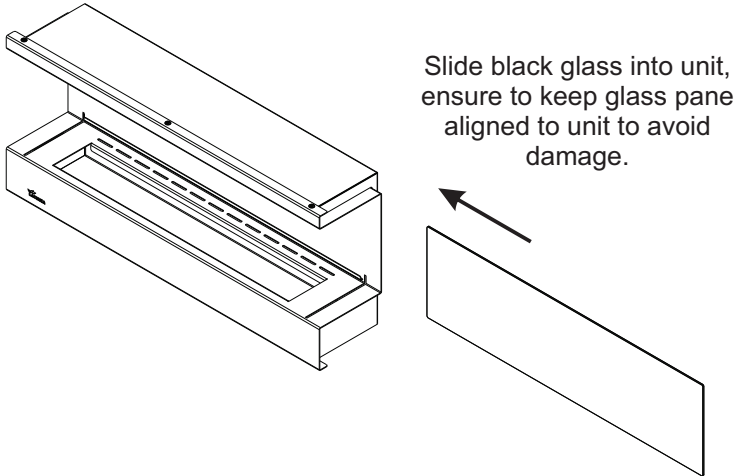
- Mark the desired installation height & center of the unit.
- Refer to the drilling template (see the last page of the User Manual).
- Procure the appropriate screw for fixing to the wall. Mount slot diameter 8,6mm.
- Use the drilling template to confirm the central point (1) of the installation mount, mark and drill.
- Secure the mount via the central hole (do not over-fasten at this stage).
- Use spirit level and to confirm installation mount level and mark holes 2 & 3.
- Swivel mount 90 ° (ensure not to damage wall).
- Drill holes 2 & 3.
- Swivel mount back into position and fasten all screws.

2 Mounting bracket

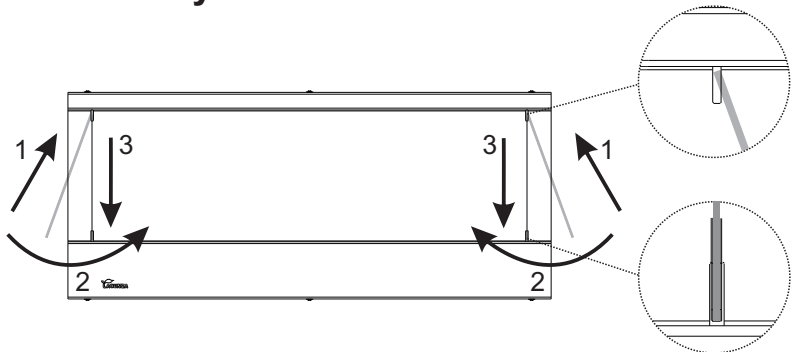


Lumin Mural Fireplace - User Manual Assembly

3 Black glass



4 Side glass assembly



1. Insert top edge of glass pane into slit.

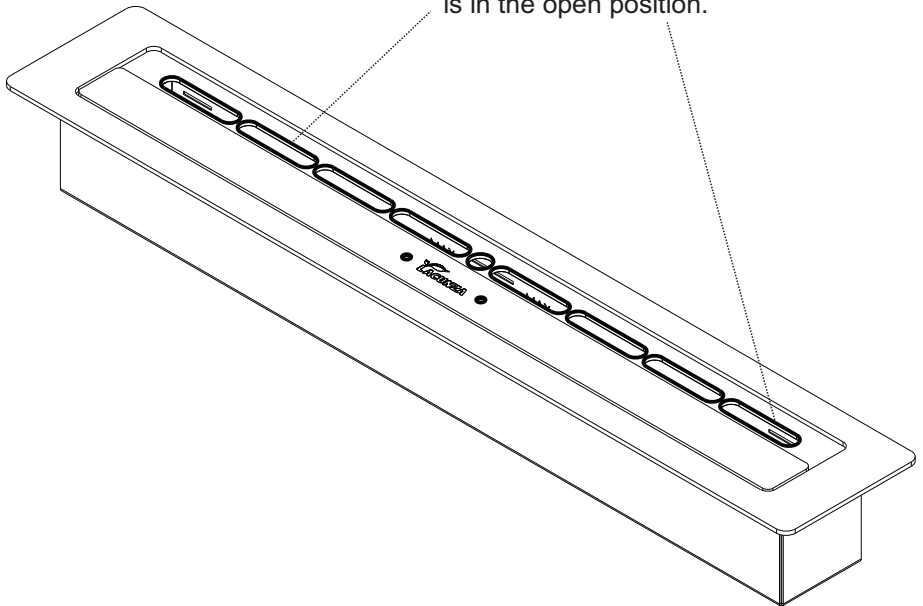
2. Rotate vertically and let pane rest on hidden platform

3. Insert bottom edge of glass pane into slit.

Lumin Mural Fireplace - User Manual Assembly

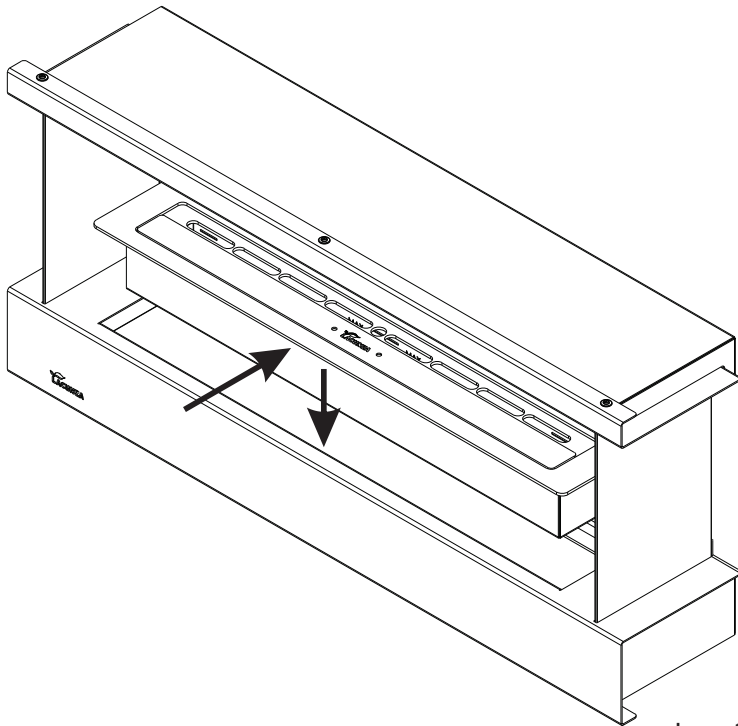
5 Burner

Note: Ensure the burner is inserted with the burner slots towards the rear of the fireplace when the slider is in the open position.



Lumin Mural Fireplace - User Manual
Assembly

6 Burner assembly



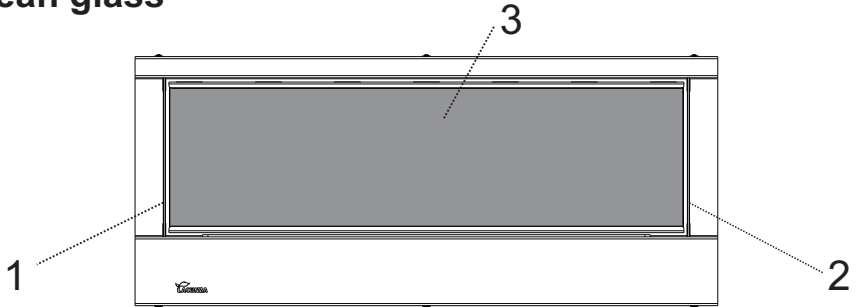
Insert burner
into assembled unit
once hung on wall.

Note:

- See back page with drilling template at back of manual.

**Lumin Mural Fireplace - User Manual
Assembly**

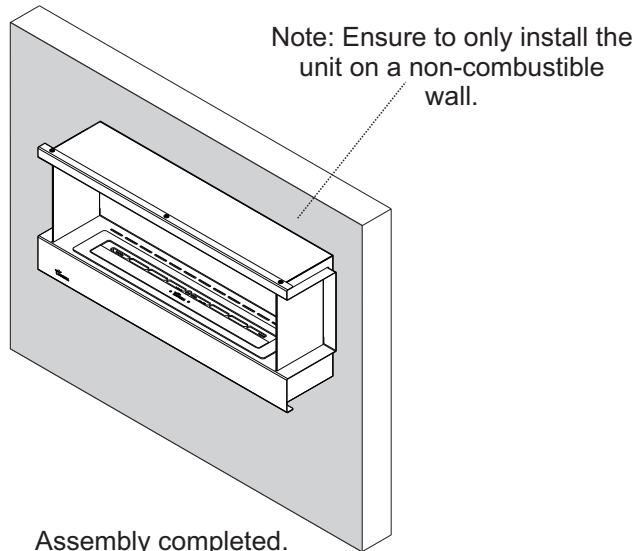
7 Clean glass



Notes:

- Clean all glass surfaces to avoid damage before initial burn.
- All sizes in mm.

8





Lumin Mural Fireplace - User Manual Warranty Claim Form

The Warranty given by Lacunza (Pty) Ltd covers the working components on all Lacunza bioethanol fireplaces for 3 years. The warranty covers defects caused during the manufacturing process.

The warranty does not cover component malfunction or fatigue caused by improper use or installation. The warranty does not cover rust or if the product has been modified in any way.

To make a warranty claim, please complete the form below and send this page together with your Lacunza agent invoice comercial@lacunza.net

Product Name: _____

Date Purchased: _____

Lacunza Agent: _____



Lumin Mural Fireplace - User Manual Drilling Template

Note:

- Tilt user manual horizontally to follow drilling template instructions.
- Make sure that 68mm is measured before drilling the hole.

